

SECTION 16

Sheet Products



Plywood 16.0

Hyne OS'Brace 16.1

Weathertex 16.2

Exterior Plywood 16.3

Marine Plywood 16.4

MDF Board 16.5

White Melamine 16.6

Masonite 16.7

Australian Hardboard 16.8

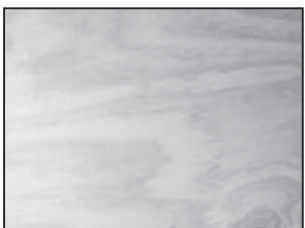
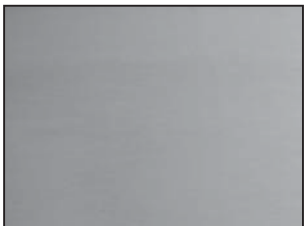
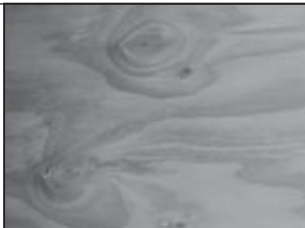
Easycraft Decorative MDF Wall Sheeting 16.9

PLYWOOD

Sheet Products

PLYWOOD SERVICES

Are proud supporters and suppliers of plywood products to Finlayson Timber & Hardware Pty Ltd



Ecoply Shadowclad by Carter Holt Harvey Wood Products
Building Designer: Mark Gleeson

PLYWOOD

Sheet Products

16.0 PLYWOOD

PLYWOOD & PARTICLEBOARD FLOORING		
PF152412	Plyfloor T&G F11 2400 x 1200 x 15	\$74.97
PF152712	Plyfloor T&G F11 2700 x 1200 x 15	\$91.09
PF172412	Plyfloor T&G F11 2400 x 1200 x 17	\$88.45
PF172712	Plyfloor T&G F11 2700 x 1200 x 17	\$107.14
PF192412	Plyfloor T&G F11 2400 x 1200 x 19	\$100.28
PF192712	Plyfloor T&G F11 2700 x 1200 x 19	\$120.20
PF212412	Plyfloor T&G F11 2400 x 1200 x 21	\$115.65
PF252412	Plyfloor T&G F11 2400 x 1200 x 25	\$132.97
PF252712	Plyfloor T&G F11 2700 x 1200 x 25	\$157.11
PBF19	Particleboard Gen. Purpose 3600 x 900 x 19	\$55.55
PBF22	Particleboard Gen. Purpose 3600 x 900 x 22	\$71.66
PBFT19	Particleboard Termicide 3600 x 900 x 19	\$52.74
PBFT1908	Particleboard Termicide 3600 x 900 x 19	\$42.83
PBFT1908	Particleboard Termicide 3600 x 800 x 19	\$38.94
PLYWOOD CLADDING		
PSGP2412	Shadowclad Grooved 2400 x 1200 x 12mm Primed	\$146.92
PSGP2712	Shadowclad Grooved 2700 x 1200 x 12mm Primed	\$165.29
PSGP3012	Shadowclad Grooved 3000 x 1200 x 12mm Primed	\$244.79
PSG2412	Shadowclad Grooved 2400 x 1200 x 12mm	\$125.44
PSG2712	Shadowclad Grooved 2700 x 1200 x 12mm	\$141.14
PSG3012	Shadowclad Grooved 3000 x 1200 x 12mm	\$216.83
PSSP2412	Shadowclad Texture 2400 x 1200 x 12mm Primed	\$146.92
PSSP2712	Shadowclad Texture 2700 x 1200 x 12mm Primed	\$165.29
PSSP3012	Shadowclad Texture 3000 x 1200 x 12mm Primed	\$244.79
PSS2412	Shadowclad Texture 2400 x 1200 x 12mm	\$125.44
PSS2712	Shadowclad Texture 2700 x 1200 x 12mm	\$141.14
PSS3012	Shadowclad Texture 3000 x 1200 x 12mm	\$216.83
PLYWOOD BRACING		
PB272409	Ply Bracing 2440 x 900 x 4mm	\$20.87
PB272412	Ply Bracing 2440 x 1200 x 4mm	\$27.85
PB272709	Ply Bracing 2745 x 900 x 4mm	\$25.38
PB272712	Ply Bracing 2745 x 1200 x 4mm	\$33.86
PB273009	Ply Bracing 3050 x 900 x 4mm	\$29.60
PB273012	Ply Bracing 3050 x 1200 x 4mm	\$39.44
PBT2409	Ply Bracing 2440 x 900 x 4mm LOSP H2	\$25.48
PBT2412	Ply Bracing 2440 x 1200 x 4mm LOSP H2	\$33.99
PBT2709	Ply Bracing 2745 x 900 x 4mm LOSP H2	\$29.77
PBT2712	Ply Bracing 2745 x 1200 x 4mm LOSP H2	\$39.71
PBT3009	Ply Bracing 3050 x 900 x 4mm LOSP H2	\$32.72
PBT3012	Ply Bracing 3050 x 1200 x 4mm LOSP H2	\$43.67
STRUCTURAL PLYWOOD		
PS072412	CD Structural F11 2400 x 1200 x 7mm	\$37.69
PS092412	CD Structural F11 2400 x 1200 x 9mm	\$46.03
PS122412	CD Structural F11 2400 x 1200 x 12mm	\$60.39
PS172412	CD Structural F11 2400 x 1200 x 17mm	\$84.44
PS252412	CD Structural F11 2400 x 1200 x 25mm	\$174.17

HYNE OS'Brace



Hyne OS'Brace® is a high quality, innovative and environmentally friendly sustainable structural bracing panel designed and manufactured specifically for the Australian construction industry. Hyne OS'Brace® is an engineered, three layered flat-pressed OSB panel of oriented strands (micro-veneers) bonded with synthetic resin.



Manufactured using plantation softwood from sustainably managed forests.



Panels comply with BCA (Building Code of Australia) requirements.



No problems with delamination of the surface layer under humid conditions. CSIRO weathering test results show that OS'Brace has equal strength retention to Plywood after weathering.



Approved bracing systems certified by the University of Technology Sydney to achieve 6kN/m without rods using JD5 Framing. (6.6kN/m using JD4 framing). Same capacities achieved for 450mm & 600mm Stud Centres.



Available in untreated and H2 treated termite resistant. The H2 treatment is combined with the glue providing protection to the whole board.

Available Sizes (mm)

- 2440, 2745, 3050 x 900mm
- 2440, 2745, 3050 x 1200mm

Thickness

6mm

Pieces per Pack

90

Treatments

Available both untreated and H2 treated.

System Design and Installation

Standard Fasteners

For the Hyne OS'Brace® systems, 2.8mm diameter x 30mm flat head galvanised or corrosion resistant nails or their gun driven equivalent are specified according AS 1684 - 1999. Fastener edge distances along top and bottom plates and edge studs should be a minimum of 15mm and 8mm where panels butt along internal studs.

Anchoring Bottom Plates

Anchoring of bottom plates shall be in accordance with AS1684-1999 or designed in accordance with AS1720.1 -1997. Hold down provided in the Hyne OS'Brace® bracing system provides bracing resistance. Additional fixings (cyclone rods) may be required to resist uplift forces and must be appropriately designed and installed.

Registered

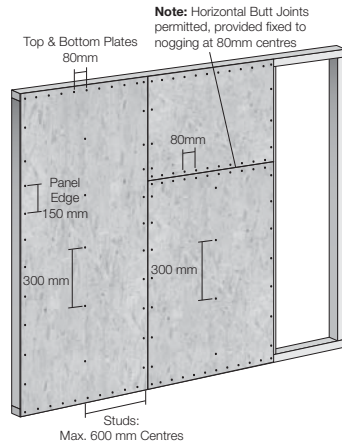
Hyne OS'Brace® H2 Blue is registered for compliance with the Timber Marketing Act 1977 (New South Wales) and the Queensland Timber and Marketing Act 1987. The design criteria for OS'Brace are based upon AS1684-1999 Residential Timber Framed Construction. The system has also been engineered and tested to comply with the performance requirements of the Building Code of Australia (BCA).

OS'Brace Systems

TYPE 1 SYSTEM 3.4 kN/m

- Fastener Centres**
- 80mm for top and bottom plates
 - 150mm for vertical edges
 - 300mm for intermediate studs

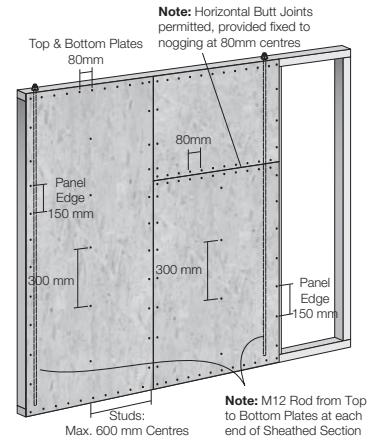
- No noggings
- No rods
- Minimum joint strength of framing **JD5**



TYPE 2 SYSTEM 5.6 kN/m

- Fastener Centres**
- 80mm for top and bottom plates
 - 150mm for vertical edges
 - 300mm for intermediate studs
 - M12 rod at ends of sheathed section

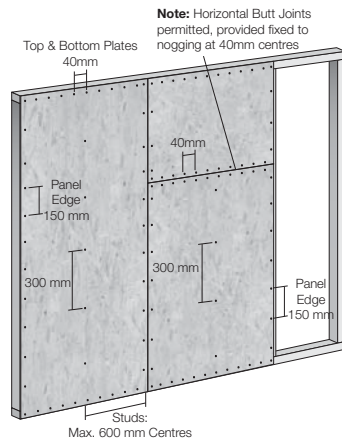
- No noggings
- Minimum joint strength of framing **JD5**



TYPE 3 SYSTEM 6.0 kN/m

- Fastener Centres**
- 40mm for top and bottom plates
 - 150mm for vertical edges
 - 300mm for intermediate studs

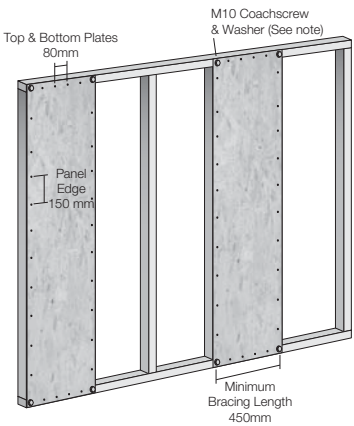
- No noggings
- No rods
- Minimum joint strength of framing **JD5**
- Minimum section of bracing 900mm



TYPE 4 SYSTEM Short Wall Bracing SYSTEM 2.2 kN/m

- Fastener Centres**
- 80mm for top and bottom plates
 - 150mm for vertical edges
 - M10x70mm long coach screws with 50x50x3mm washers or equivalent in each corner of each sheathed short wall section.

- No noggings
- No rods
- Minimum joint strength of framing **JD5**
- Minimum section of bracing 450mm



TYPE	DESCRIPTION	FASTENER SPACINGS (mm)			RODS	JD4		JD5	
		Top and Bottom Plate	Edges	Intermediate		kN/M	Total kN	kN/M	Total kN
OS'Brace Type 1	900 wide sheet bracing	80	150	300	No	3.8	3.42	3.4	3.06
OS'Brace Type 1	1200 wide sheet bracing	80	150	300	No	3.8	4.56	3.4	4.08
OS'Brace Type 2	900 wide sheet bracing	80	150	300	Yes	6.2	5.58	5.6	5.04
OS'Brace Type 2	1200 wide sheet bracing	80	150	300	Yes	6.2	7.44	5.6	6.72
OS'Brace Type 3	900 wide sheet bracing	40	150	300	No	6.6	5.94	6	5.40
OS'Brace Type 3	1200 wide sheet bracing	40	150	300	No	6.6	7.92	6	7.20
OS'Brace Type 4	450 wide sheet bracing M10 coach screws fixed at each corner	40	150	300	Coach screws at each corner	2.4	1.08	2.2	0.99

Sheet Size	Pack Size	Untreated Per Sheet	H2 Treated Per Sheet
2440x900	90 sheets	\$15.83	\$18.70
2440x1200	90 sheets	\$21.70	\$24.94
2745x900	90 sheets	\$18.30	\$21.05
2745x1200	90 sheets	\$24.39	\$28.07
3050x900	90 sheets	\$20.33	\$23.36
3050x1200	90 sheets	\$27.11	\$31.17



WeatherTex Weatherboards are an Australian made and owned product made from 100% Australian Hardwood. WeatherTex suits a variety of structural and decorative exterior wall applications, and blends in beautifully with a range of other building materials such as brick, timber, concrete and metal.

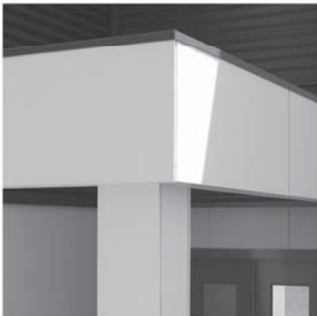
WeatherTex Weatherboards are made by breaking down local hardwood, from sawmill tailings, thinnings and managed forests, to its constituent fibres using steam and pressure. This process eliminates the grains, knots and gum vein that cause natural timber Weatherboards to split and crack.

Environmentally friendly with a 25 year guarantee not to split, crack or rot and no additives, WeatherTex is the right choice.



WEATHERBOARD 200mm			
WTX191	Smooth WeatherTex	3660 x 200	\$18.87
WTX176	Ruff-X	3660 x 200	\$19.73
WTX166	Ruff Sawn	3660 x 200	\$19.73
WTX186	Rusticated Smooth	3660 x 200	\$24.87
WTX181	Rusticated Ruff Sawn	3660 x 200	\$24.87
WEATHERBOARD 300mm			
WTX196	Smooth WeatherTex	3660 x 300	\$27.46
WTX171	Ruff Sawn	3660 x 300	\$28.99
WTX156	Millwood Smooth	3660 x 300	\$37.00
WTX151	Millwood Ruff Sawn	3660 x 300	\$37.00
WTX161	Old Colonial	3660 x 300	\$37.00
PRIMELOK 200			
WTX031	Smooth	3660 x 200	\$25.50
WTX036	Woodman	3660 x 200	\$27.07
WTX011	Braidwood Smooth	3660 x 200	\$28.21
WTX006	Braidwood Ruff Sawn	3660 x 200	\$28.21
PRIMELOK 170			
WTX021	Federation Smooth	3660 x 170	\$23.99
WTX016	Federation Ruff Sawn	3660 x 170	\$23.99
WTX041	Shadowood	3660 x 170	\$23.99
SIGNBOARD			
WTX381	Signboard	3660 x 1220	\$121.96
WTX371	Signboard	2745 x 1220	\$102.97
WTX361	Signboard	2440 x 1220	\$92.41
WTX351	Signboard	1830 x 1220	\$60.98
EXTERIORBOARD SMOOTH			
WTX231	Exteriorboard Smooth	3660 x 1220	\$158.90
WTX226	Exteriorboard Smooth	2745 x 1220	\$135.49
WTX221	Exteriorboard Smooth	2440 x 1220	\$121.59
WTX216	Exteriorboard Smooth	1830 x 1220	\$79.44
WTX211	Exteriorboard Smooth	1200 x 1200	\$60.50
WTX206	Exteriorboard Smooth	1200 x 915	\$45.76
WEATHERGROOVE RUFF-SAWN			
WTX316	Weathergroove Ruff-Sawn	3660x1196	193.13
WTX311	Weathergroove Ruff-Sawn	3050x1196	160.95
WTX306	Weathergroove Ruff-Sawn	2745x1196	144.85
WTX301	Weathergroove Ruff-Sawn	2440x1196	129.98
WEATHERGROOVE SMOOTH			
WTX331	Weathergroove Smooth	3660 x 1196	\$193.13
WTX327	Weathergroove Smooth	3050 x 1196	\$160.95
WTX323	Weathergroove Smooth	2745 x 1196	\$144.85
WTX319	Weathergroove Smooth	2440 x 1196	\$129.98

WEATHERGROOVE WOODSMAN			
WTX347	Weathergroove Woodman	3660 x 1196	\$193.13
WTX343	Weathergroove Woodman	3050 x 1196	\$160.95
WTX339	Weathergroove Woodman	2745 x 1196	\$144.85
WTX335	Weathergroove Woodman	2440 x 1196	\$129.98
SHINGLES			
WTX375	Ruff Sawn	225 x 1196	\$12.18
ACCESSORIES			
WTX501	Smooth Joiner 200mm (25)		\$45.24
WTX502	Smooth Joiner 300mm (25)		\$48.61
WTX503	Woodgrain Joiner 200mm (25)		\$45.24
WTX504	Millwood Smooth Joiner 300mm (25)		\$91.44
WTX505	Millwood Ruff Sawn Joiner 300mm (25)		\$91.44
WTX506	Old Colonial Joiner 300mm (25)		\$91.44
WTX507	Rusticated Smooth Joiner (25)		\$59.68
WTX508	Rusticated Ruff Sawn Joiner (25)		\$59.68
WTX509	Concealed Joiner 200mm (25)		\$75.08
WTX510	Concealed Joiner 300mm (25)		\$78.93
WTX511	Federation Smooth Joiner (25)		\$55.83
WTX512	Federation Ruff Sawn Joiner (25)		\$55.83
WTX513	Federation Concealed Joiner (25)		\$73.63
WTX514	Braidwood Smooth Joiner (25)		\$56.31
WTX515	Braidwood Ruff Sawn Joiner (25)		\$56.31
WTX516	Shingle Joiners (25)		\$40.89
WTX517	Signboard Joiners		\$23.88
WTX518	Ruff Sawn Horizontal Joiner		\$29.26
WTX519	Smooth Horizontal Joiner		\$29.26
WTX520	Weathergroove Joiner 2440mm		\$9.81
WTX521	Weathergroove Joiner 2745mm		\$10.86
WTX522	Weathergroove Joiner 3050mm		\$11.96
WTX523	Weathergroove Joiner 3660mm		\$14.10
WTX526	Expressboard Joiner		\$15.14
WTX528	Small Internal Corner 3660mm		\$70.08
WTX529	Small External Corner 3660mm		\$72.54
WTX530	Large Internal Corner 3660mm		\$74.33
WTX531	Large External Corner 3660mm		\$77.03
WTX532	Large End Cap		\$2.11
WTX533	Small End Cap		\$1.69
WTX534	Primelok Starter Strip		\$13.35



ExteriorBoard is one of the most unique, durable and versatile cladding products in the marketplace. With the use of the ExteriorBoard Deep Channel Joiner, installed both vertically and horizontally, ExteriorBoard offers that sought after modern panel and matrix look. Made from natural Australian Hardwood, ExteriorBoard is a light weight product which can be applied over conventional timber frames, and coated with high quality exterior 100% acrylic or solvent borne paint coatings.

The natural Australian Hardwood makes handling, cutting, routing and shaping with normal woodworking tools and machinery a breeze. In addition ExteriorBoard, complies with the requirements for External Hardwood in AS/NZS1859.4:1997 and, is suitable for Gun Nailing installation, reducing finishing costs and inspiring faster project completion. Backed by a 10 year warranty performance, quality and peace of mind comes standard with ExteriorBoard.

EXTERIORBOARD	LENGTH (mm) ± 3mm	WIDTH (mm) ± 3mm	UNITS PER PACK	CONTENTS (m ²)	APPROX. MASS PER PACK (kg)
Smooth	3660	1220	25	111.6	1116
Smooth	2745	1220	25	83.7	837
Smooth	2440	1220	25	74.4	744
Smooth	1830	1220	25	55.8	558
Smooth	1220	1220	50	74.4	744
Smooth	915	1220	50	55.8	558
Woodsman (MTO)	3660	1220	25	111.6	1116

APPLICATIONS

Typical ExteriorBoard applications are:

- EXPRESS Jointing
- The cladding of Exhibition Buildings, Sporting and Entertainment Complexes
- The decoration of Commercial Sites and Residential Dwellings
- Silhouette Profiles

ACCESSORIES

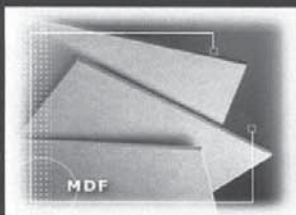
ExteriorBoard Deep Channel Joiners, Aluminium Corners, External Corner Plugs and Nails are available.



For further information on Weathertex, call Weathertex Technical Support Centre 1800 040 080 www.weathertex.com.au

Wholesale Suppliers of:

**PROJECT
PANELS**



Weathertex

Hardboard

Plywood

MDF

Particleboard

Project Panels

Shelving

Timber

Wall Panelling

**WallART Linear Wet
Area Panelling**

**WallART Rezilience
Dry Area Panelling**



GUNNERSEN

Wall **ART**



Available through Finlayson's

MDF, MELAMINE and MASONITE

Sheet Products

16.3 EXTERIOR PLYWOOD

PRODUCT	Description	PRICE
PE042412	Exterior Ply 2440 x 1220 x 3.6 Ivorywood B-C	\$24.20
PE061812	Exterior Ply 1830 x 1220 x 6.0 Ivorywood B-C	\$34.15
PE062412	Exterior Ply 2440 x 1220 x 6.0 Ivorywood B-C	\$40.62
PE092412	Exterior Ply 2440 x 1220 x 9.0 Ivorywood B-C	\$55.62
PE121812	Exterior Ply 1830 x 1220 x 12.0 Ivorywood B-C	\$67.36
PE122412	Exterior Ply 2440 x 1220 x 12.0 Ivorywood B-C	\$75.17

16.4 MARINE PLYWOOD

PRODUCT	Description	PRICE
PM04	Marine Ply 2440 x 1220 x 3.6 Pac.Maple B-B	\$32.37
PM062412	Marine Ply 2440 x 1220 x 6.0 Pac.Maple B-B	\$48.85
PM092412	Marine Ply 2440 x 1220 x 9.0 Pac.Maple B-B	\$69.81
PM122412	Marine Ply 2440 x 1220 x 12.0 Pac.Maple B-B	\$89.28
PM122412	Marine Ply 2440 x 1220 x 15.0 Pac.Maple B-B	\$113.32
PM182412	Marine Ply 2440 x 1220 x 18.0 Pac.Maple B-B	\$128.00



16.5 MDF BOARD

PRODUCT	Description	PRICE
MDF03	MDF 2440 x 1220 x 3.0mm	\$12.05
MDF04	MDF 2440 x 1220 x 4.75mm	\$20.57
MDF06	MDF 2400 x 1200 x 6.0mm	\$22.66
MDF09	MDF 2400 x 1200 x 9.0mm	\$34.38
MDF12	MDF 2400 x 1200 x 12.0mm	\$39.73
MDF161806	MDF 1800 x 0600 x 16.0mm	\$18.68
MDF162404	MDF 2400 x 0450 x 16.0mm	\$18.72
MDF162406	MDF 2400 x 0600 x 16.0mm	\$24.97
MDF163604	MDF 3600 x 0450 x 16.0mm	\$28.09
MDF163606	MDF 3600 x 0600 x 16.0mm	\$35.55
MDF16	MDF 2400 x 1200 x 16.0mm	\$47.38
MDF18	MDF 2440 x 1200 x 18.0mm	\$53.28
MDF25	MDF 2400 x 1200 x 25.0mm	\$84.45
MDF32	MDF 2400 x 1200 x 32.0mm	\$111.65

16.6 WHITE MELAMINE

PRODUCT	Description	PRICE
MS16	Melamine 2400 x 1200 x 16mm	\$60.12
MS18	Melamine 2400 x 1200 x 18mm	\$93.01
MS1803	White Shelving 1800 x 0295 x 16mm	\$12.16
MS1804	White Shelving 1800 x 0445 x 16mm	\$18.35
MS1806	White Shelving 1800 x 0595 x 16mm	\$24.55
MS2403	White Shelving 2400 x 0295 x 16mm	\$16.22
MS2404	White Shelving 2400 x 0445 x 16mm	\$24.49
MS2406	White Shelving 2400 x 0595 x 16mm	\$32.73
MS3603	White Shelving 3600 x 0295 x 16mm	\$24.38
MS3604	White Shelving 3600 x 0445 x 16mm	\$36.74
MS3606	White Shelving 3600 x 0595 x 16mm	\$49.14

16.7 MASONITE

PRODUCT	Description	PRICE
IC2412	Ivory Caneite 2440 x 1220 x 12.7	\$64.52
HP1812	Pegboard 1830 x 1220 x 4.8mm	\$66.52
HP2712	Pegboard 2745 x 1220 x 4.8mm	\$99.79
HS1812	Standard 1830 x 1220 x 4.8mm	\$30.72
HS2412	Standard 2440 x 1220 x 4.8mm	\$40.96
HU1209	Underlay 1220 x 915 x 5.5mm	\$16.87
HW2412	Whitecote 2440 x 1220 x 3.2mm	\$32.42

**“ To buy sheet products is easy
- it's drive through with undercover
parking so we can load directly
onto your vehicle ”**

DAVID TURNBULL
Merchandising 8 Years Service



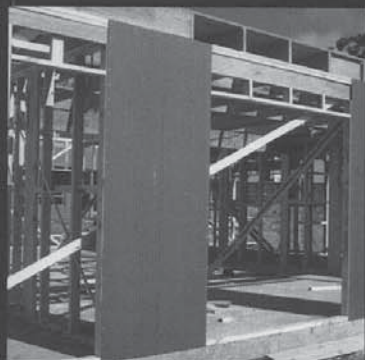
AUSTRALIAN HARDBOARDS

Sheet Products

**Australian
HARDBOARDS**



www.australianhardboards.com.au



Underlay

Helps prevent show through & uneven surfaces.
Made from hardwood timber.
Only timber based underlay specified in the Australian Standards.
Used in Australia for the past 35 years.



M4 Braceboard

Provides structural strength.
Complies with building code of Australia - AS 1684.
Free from irregularities; no splinters or knots.
Nailing pattern printed on sheet to save.
No added toxins or chemicals.
Australian made.



Readiwall

Excellent lining board where a strong & durable material is required.
Will not split or crack, pre-primed for direct fixing & painting.
Nail or glue to timber frame support
No added toxins or chemicals.
Australian made for Australian conditions.



Pegboard

Made from Australian Hardwood.
Easy to cut, trim & fix.
Pre-coated, smooth surface.
Nail or glue to timber frame support
No added toxins or chemicals.
Substrate made from hardwood timber species.
Australian made.



Whitecote

Superior moisture qualities.
Abrasion & scuff resistant surface with superior impact resistance.
No added toxins or chemicals.
Substrate made from hardwood timber species.
Australian made.



Hardboard

Excellent moisture resistance.
Can be cut with conventional wood working tools.
High density ensures it is suitable for routing.
Pre-sanded, ready to paint.
Contains no chemical additives.

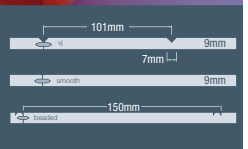
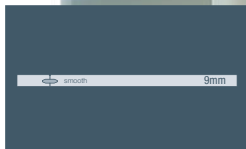
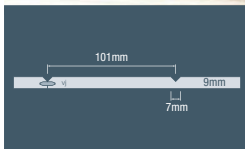


easyvj

easyregency easyline

easyclad

easyclear



easyvj is our most popular wall and ceiling feature panel being used in both traditional and newly built homes. It will give living spaces a truly unique and contemporary feel. Can be used vertically, horizontally or diagonally as a feature wall, at dado rail height and even on ceilings.

easyregency looks fantastic in the traditional home or as a feature in a contemporary home. This design will enhance any hallway, bedroom or dining room wall as a dado or full length wall.

easyline is the ideal alternative to plasterboard offering a smooth, tough, impact resistant surface. It is perfect for those high traffic family areas or media rooms where noise may be an issue. Can also be used in garages and storage areas for hanging items on wall.

The perfect semi external solution, on veranda's, patio's and pergolas. Made from 9.5mm reconstituted hardwood, **easyclad** has excellent environmental credentials, with industrial grade undercoat and available smooth, or in easyvj and easyregency profiles.

For a superb timber look finish, **easyclear** is a semi external rated ply, available in a variety of woodgrain surface finishes. It's ideal for verandahs, ceilings and striking timber look walls, with the durability and warmth of timber and excellent environmental credentials. Available in smooth finish or VJ and Beaded profiles.



easycraft has been certified as having environmentally preferable products by GECA. For more information see www.geca.com.au

inspirational walls & ceilings





easyvj®



easyregency®



easybeaded®



easylines®



easyclad®



easyclear®

PRODUCT CODE	DESCRIPTION	Per sheet Incl. gst
easyvj®		
VJ0912	0900 X 1200 X 9mm MDF MR	\$22.18
VJ0924	2400 X 1200 X 9mm MDF MR	\$57.37
VJ0927	2700 X 1200 X 9mm MDF MR	\$64.54
VJ0930	3000 X 1200 X 9mm MDF MR	\$72.61
VJ0933	3300 X 1200 X 9mm MDF MR	\$79.86
VJ0936	3600 X 1200 X 9mm MDF MR	\$87.13
VJ0945	4500 X 1200 X 9mm MDF MR	\$113.43
VJ0954	5400 X 1200 X 9mm MDF MR	\$136.11
easyregency®		
ER0912	0900 X 1200 X 9mm MDF MR	\$22.18
ER0924	2400 X 1200 X 9mm MDF MR	\$59.16
ER0927	2700 X 1200 X 9mm MDF MR	\$66.57
ER0930	3000 X 1200 X 9mm MDF MR	\$74.87
ER0936	3600 X 1200 X 9mm MDF MR	\$89.85
ER0945	4500 X 1200 X 9mm MDF MR	\$116.97
ER0954	5400 X 1200 X 9mm MDF MR	\$140.37
easybeaded®		
EB0924	2400 X 1200 X 9mm MDF MR	\$59.16
EB0927	2700 X 1200 X 9mm MDF MR	\$66.57
EB0930	3000 X 1200 X 9mm MDF MR	\$4.87
EB0936	3600 X 1200 X 9mm MDF MR	\$89.85
EB0945	4500 X 1200 X 9mm MDF MR	\$116.97
EB0954	5400 X 1200 X 9mm MDF MR	\$140.37
easylines®		
	2400 X 1200 X 9mm MDF MR - Smooth	\$55.96
	2700 X 1200 X 9mm MDF MR - Smooth	\$62.95
	3000 X 1200 X 9mm MDF MR - Smooth	\$69.95
	3600 X 1200 X 9mm MDF MR - Smooth	\$83.95
easyclad®		
ECV2745	2745 X 1200 X 9.5mm Hardboard VJ	\$115.99
ECV3660	3660 X 1200 X 9.5mm Hardboard VJ	\$154.78
ECR2745	2745 X 1200 X 9.5mm Hardboard Regency	\$115.99
ECR3660	3660 X 1200 X 9.5mm Hardboard Regency	\$154.78
easyclear®		
	2400 X 1200 X 9mm Hoop Pine	\$106.02
	2700 X 1200 X 9mm Hoop Pine	\$187.68
	2400 X 1200 X 9mm Mixed Tropical	\$106.02
	2400 X 1200 X 9mm Mixed Tropical	\$106.02
easyraw		
VJB0924	2400 X 1200 X 9mm MDF MR	\$45.54
VJB0927	2700 X 1200 X 9mm MDF MR	\$51.23
VJB0930	3000 X 1200 X 9mm MDF MR	\$57.51
VJB0933	3300 X 1200 X 9mm MDF MR	\$63.27
VJB0936	3600 X 1200 X 9mm MDF MR	\$69.02

"Finlayson's will match any written Easycraft product quote"

why choose easycraft

- **Easy to install** – Install your easycraft wall, ceiling with the unique easyjoin system ensuring a strong, perfect finish, and the joints can also be fitted off frame
- **Easy on the eye** – in both contemporary & traditional design applications, easycraft looks superb, providing just enough profile to enhance any room
- **Easy to finish** – each easycraft panel is fully undercoated, so its ready to paint in the colour of your choice
- **Australian owned and made** – using eco approved products sourced only from plantation timbers here in Australia
- **Tough & impact resistant** – made from a (MR) moisture resistant (MDF) medium density fibre, its ideal for those rooms that need to meet the day to day adventures of the whole family. Also great for garage and storage area walls, making hanging things easy
- **New wall building or renovating applications** – easy to install over any old wall, or install and join off stud when you are building a new wall

For easy projects, great ideas and instructions on how to install easycraft DIY products, visit easycraft.com.au