

SECTION 1

Mouldings

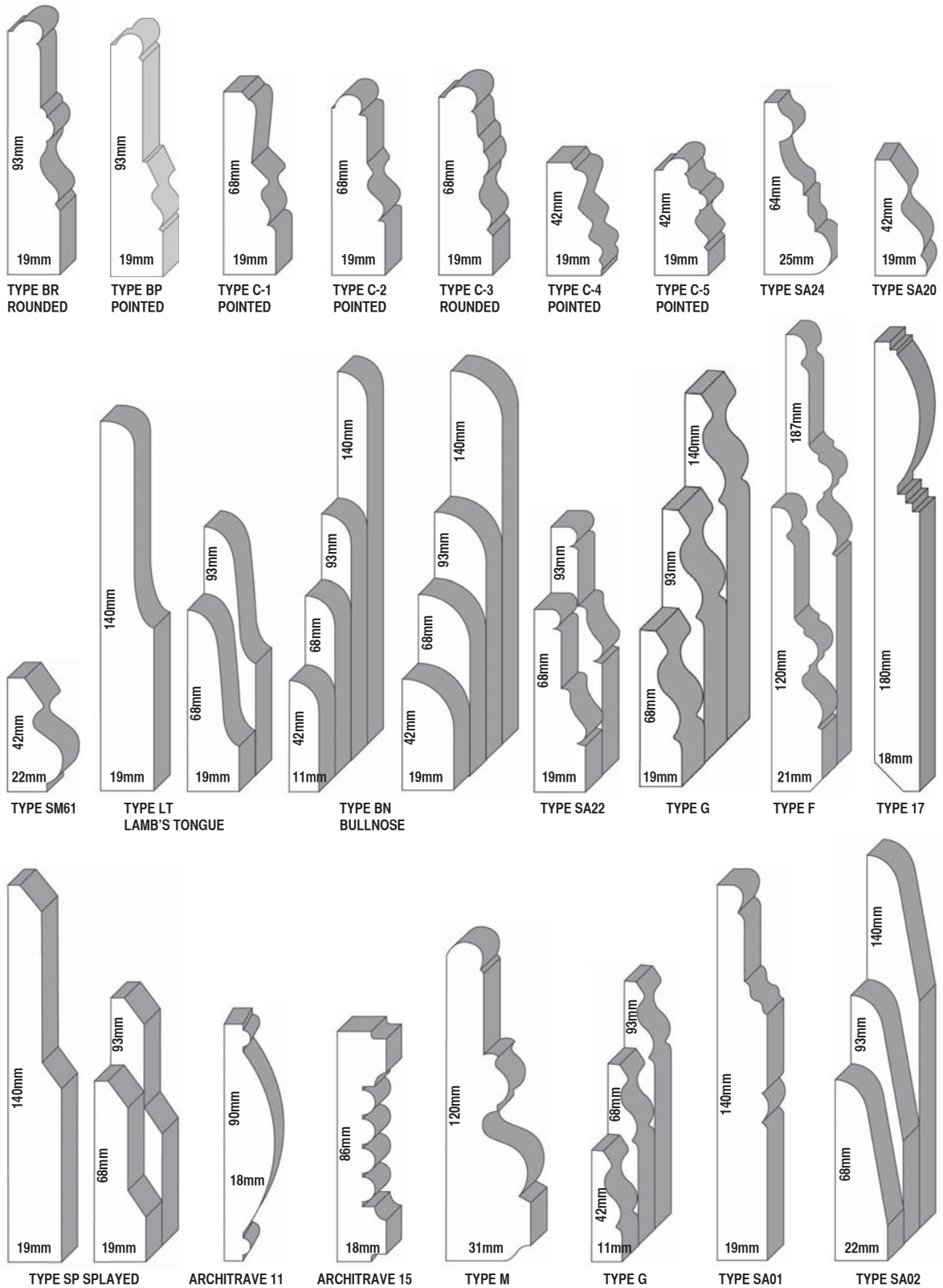


Architraves and Skirtings	1.0
New Profiles	1.1
Cornices	1.2
Belt Rails	1.3
Picture Rails, Dados and Nosings	1.4
Picture Frame Moulds	1.5
Inlays and Trims	1.6
Post Moulds	1.7
Architrave and Plinth Blocks	1.8
Panelling	1.9
Square Dressed Araucaria	1.10
Shelving	1.11

ARCHITRAVES and SKIRTING

Mouldings

1.0 PROFILES ARCHITRAVES and SKIRTINGS



PLANTATION ARAUCARIA – CLEAR AND FINGER JOINT GRADES

All profiles have relief grooves where applicable. All mouldings available L.O.S.P. treated for external use.

ARCHITRAVES and SKIRTING

Mouldings

1.0 ARCHITRAVES and SKIRTINGS

PRODUCT	SIZE	Finger Joint	Clear Grade	H3 LOSP Add
Unit = LM				
TYPE BR	93 x 19	\$6.33	\$8.38	\$0.88
TYPE BP	93 x 19	\$6.33	\$8.38	\$0.88
TYPE C1	68 x 19	\$4.88	\$6.46	\$0.66
TYPE C2	68 x 19	\$4.88	\$6.46	\$0.66
TYPE C3	68 x 19	\$4.88	\$6.46	\$0.66
TYPE C4	42 x 19	\$3.34	\$4.41	\$0.44
TYPE C5	42 x 19	\$3.34	\$4.41	\$0.44
TYPE SA24	64 x 25	\$7.91	\$10.22	\$0.88
TYPE SA20	42 x 19	\$3.43	\$4.41	\$0.44
TYPE SM61	42 x 22	\$5.28	\$6.83	\$0.44
TYPE LT	140 x 19	\$9.98	\$13.21	\$1.32
TYPE LT	93 x 19	\$6.33	\$8.38	\$0.88
TYPE LT	68 x 19	\$4.88	\$6.46	\$0.66
TYPE BN	93 x 11	\$4.88	\$6.46	\$0.55
TYPE BN	68 x 11	\$2.31	\$3.97	\$0.44
TYPE BN	42 x 11	\$1.65	\$2.70	\$0.33
TYPE BN	140 x 19	\$9.98	\$13.21	\$1.32
TYPE BN	93 x 19	\$6.33	\$8.38	\$0.88
TYPE BN	68 x 19	\$4.88	\$6.46	\$0.66
TYPE BN	42 x 19	\$3.25	\$4.31	\$0.44
TYPE SA22	93 x 19	\$6.49	\$8.38	\$0.88
TYPE SA22	68 x 19	\$5.01	\$6.46	\$0.66
TYPE G	187 x 19	\$13.32	\$17.61	\$1.76
TYPE G	140 x 19	\$9.98	\$13.21	\$1.32
TYPE G	93 x 19	\$6.33	\$8.38	\$0.88
TYPE G	68 x 19	\$4.88	\$6.46	\$0.66
TYPE 17	180 x 18	\$13.63	\$16.07	\$1.76
TYPE F	187 x 21	\$13.32	\$17.61	\$1.76
TYPE F	120 x 21	\$8.55	\$11.31	\$1.10
TYPE SP	140 x 19	\$9.97	\$13.21	\$1.32
TYPE SP	93 x 19	\$6.33	\$8.38	\$0.88
TYPE SP	68 x 19	\$4.87	\$6.46	\$0.66
TYPE 11	90 x 18	\$6.49	\$8.38	\$0.88
TYPE 15	86 x 18	\$6.49	\$8.38	\$0.88
TYPE M	120 x 31	\$13.27	\$17.13	\$1.65
TYPE G	93 x 11	\$4.88	\$6.46	\$0.55
TYPE G	68 x 11	\$2.31	\$3.97	\$0.44
TYPE G	42 x 11	\$1.65	\$2.70	\$0.33

PRODUCT	SIZE	Finger Joint	Clear Grade	H3 LOSP Add
Unit = LM				
TYPE SA01	140 x 19	\$10.23	\$13.21	\$1.32
TYPE SA02	140 x 19	\$10.23	\$13.21	\$1.32
TYPE SA02	93 x 19	\$6.33	\$8.38	\$0.88
TYPE SA02	68 x 19	\$5.01	\$6.46	\$0.66
TYPE SA03	42 x 11	\$2.09	\$2.70	\$0.33
TYPE SA03	68 x 11	\$3.06	\$3.97	\$0.44
TYPE SA04	42 x 11	\$2.09	\$2.70	\$0.33
TYPE SA04	68 x 11	\$3.06	\$3.97	\$0.44
TYPE SA05	42 x 11	\$2.09	\$2.70	\$0.88
TYPE SA05	68 x 11	\$3.06	\$3.97	\$0.88
TYPE SA08	93 x 19	\$6.49	\$8.38	\$0.88
TYPE SA08	68 x 19	\$5.01	\$6.46	\$0.66
TYPE SA10	93 x 19	\$6.49	\$8.38	\$0.88
TYPE SA10	68 x 19	\$5.01	\$6.46	\$0.66
TYPE SA21	93 x 19	\$6.49	\$8.38	\$0.88
TYPE SA21	68 x 19	\$5.01	\$6.46	\$0.66
TYPE SA23	68 x 11	\$3.06	\$3.97	\$0.44
TYPE SA23	42 x 11	\$2.09	\$2.70	\$0.33
TYPE SA25	93 x 19	\$6.49	\$8.38	\$0.88
TYPE SA25	68 x 19	\$5.01	\$6.46	\$0.66
TYPE SA06	140 x 21	\$10.23	\$13.21	\$1.32
TYPE SA09	93 x 19	\$6.49	\$8.38	\$0.88
TYPE SA13	93 x 11	\$5.01	\$6.46	\$0.55
TYPE SA13	68 x 11	\$3.06	\$3.97	\$0.44
TYPE SA13	42 x 11	\$2.09	\$2.70	\$0.33
TYPE SA14	140 x 19	\$10.23	\$13.21	\$1.32
TYPE SA15	93 x 11	\$5.01	\$6.46	\$0.55
TYPE SA15	68 x 11	\$3.06	\$3.97	\$0.44
TYPE SA15	42 x 11	\$2.09	\$2.70	\$0.33
TYPE SA16	93 x 19	\$6.49	\$8.38	\$0.88
TYPE SA16	68 x 19	\$5.01	\$6.46	\$0.66
TYPE SA17	140 x 19	\$10.23	\$13.21	\$1.32
TYPE SA19	112 x 19	\$8.76	\$11.31	\$1.10
TYPE SA07	187 x 19	\$13.64	\$17.61	\$1.76
TYPE SA07	140 x 19	\$10.23	\$13.21	\$1.32

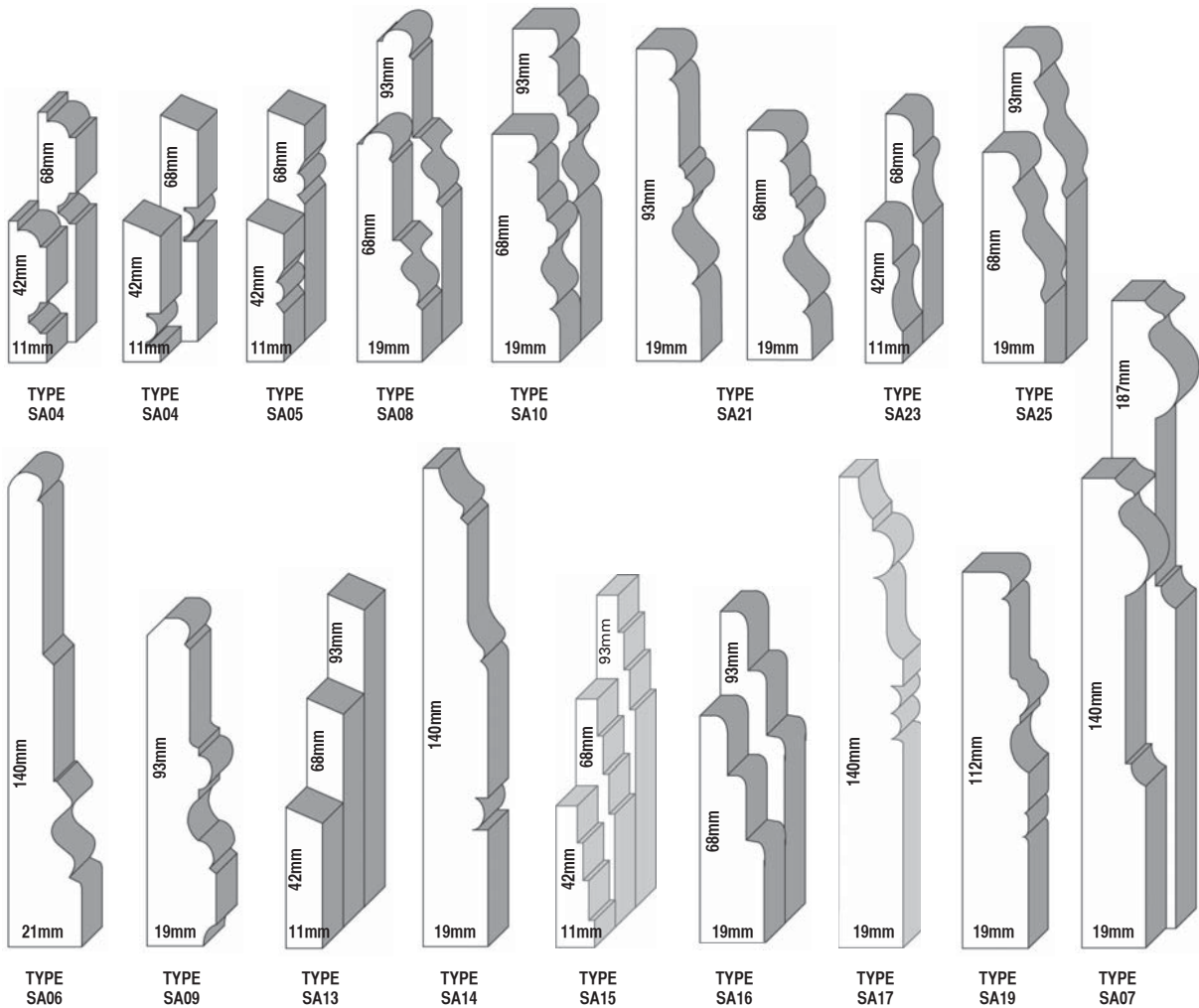
Shaded area indicates item stocked. Non-shaded products may incur a set up charge. Please refer your Finlayson representative.

- Please Note:**
- Finger joint sold in 5.4m lengths only
 - Clear grade available in set lengths subject to availability
 - Pre-priming also available - Please refer to your Finlayson representative
 - A minimum charge for non-stock LOSP products may occur - Please refer to your Finlayson representative
 - For painting LOSP treated timber - refer to notes on page 218
 - Prices in this catalogue are guides only and all final pricing should be confirmed with your Finlayson representative

ARCHITRAVES and SKIRTING

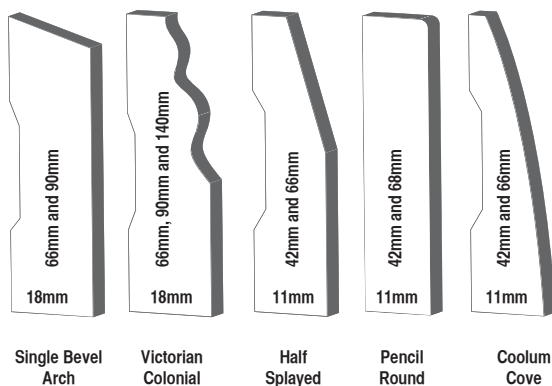
Mouldings

1.0 PROFILES ARCHITRAVES and SKIRTINGS



PLANTATION ARAUCARIA – CLEAR AND FINGER JOINT GRADES
 All profiles have relief grooves where applicable. All mouldings available L.O.S.P. treated for external use.

1.1 ARCHITRAVES AND SKIRTING - NEW PROFILES



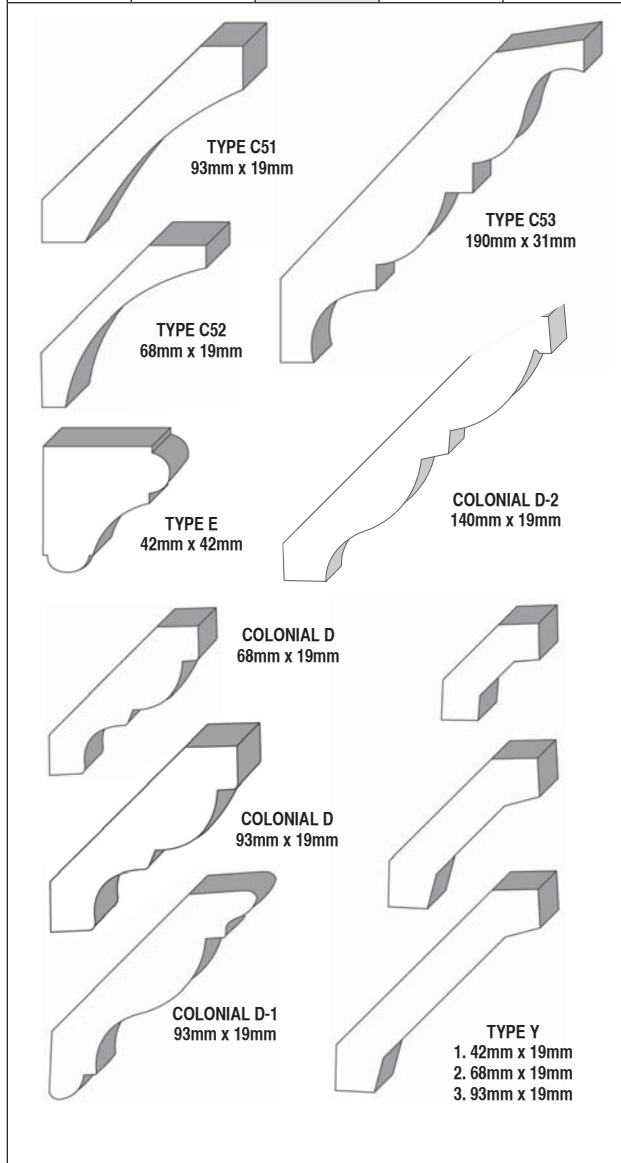
SIZE	PROFILE	Finger Joint	Clear Grade	H3 LOSP Add
66 x 18	Single Bevel Architrave	\$4.88	\$6.45	\$0.66
90 x 18	Single Bevel Architrave	\$6.33	\$8.38	\$0.88
66 x 18	Victorian Colonial	\$4.88	\$6.45	\$0.66
90 x 18	Victorian Colonial	\$6.33	\$8.38	\$0.88
140 x 18	Victorian Colonial	\$9.98	\$13.21	\$1.32
42 x 11	Half Splayed	\$1.65	\$2.69	\$0.33
66 x 11	Half Splayed	\$2.31	\$3.97	\$0.44
42 x 11	Pencil Round	\$1.65	\$2.69	\$0.33
66 x 11	Pencil Round	\$2.31	\$3.97	\$0.44
42 x 11	Coolum Cove	\$1.65	\$2.69	\$0.33
66 x 11	Coolum Cove	\$2.31	\$3.97	\$0.44

CORNICES and BELT RAILS

Mouldings

1.2 CORNICES

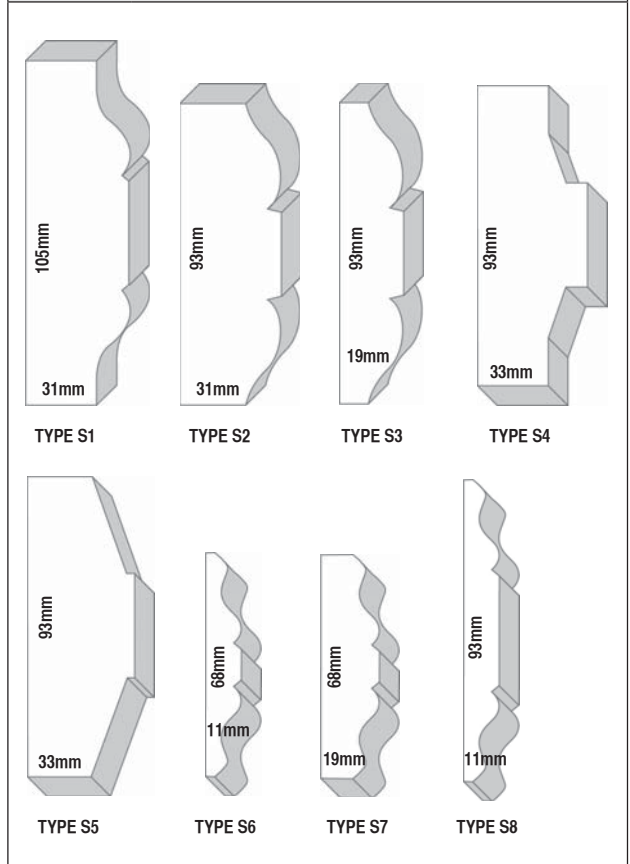
PRODUCT	SIZE	Finger Joint	Clear Grade	H3 LOSP Add
Unit = LM				
TYPE C53	190 x 31	\$18.51	\$23.90	\$2.70
TYPE C52	68 x 19	\$5.01	\$6.46	\$0.66
TYPE D	93 x 19	\$6.61	\$8.88	\$0.88
TYPE D	68 x 19	\$5.14	\$6.77	\$0.66
TYPE Y	93 x 19	\$6.61	\$8.88	\$0.88
TYPE Y	68 x 19	\$4.95	\$6.77	\$0.66
TYPE Y	42 x 19	\$3.30	\$4.50	\$0.44
TYPE E	42 x 42	\$6.83	\$9.02	\$0.88
TYPE C51	93 x 19	\$6.86	\$8.88	\$0.88
TYPE D1	93 x 19	\$6.67	\$8.88	\$0.88



1.3 BELT RAILS

PRODUCT	SIZE	Finger Joint	Clear Grade	H3 LOSP Add
Unit = LM				
TYPE S1	105 x 31	\$13.05	\$17.23	\$1.65
TYPE S2	93 x 31	\$10.49	\$13.86	\$1.32
TYPE S3	93 x 19	\$6.61	\$8.88	\$0.88
TYPE S4	93 x 33	\$10.48	\$13.86	\$1.32
TYPE S5	93 x 33	\$10.48	\$13.86	\$1.32
TYPE S6	68 x 11	\$2.99	\$3.97	\$0.44
TYPE S7	68 x 19	\$4.66	\$6.17	\$0.66
TYPE S8	93 x 11	\$4.88	\$6.46	\$0.55

Shaded area indicates item stocked. Non-shaded products may incur a set up charge. Please refer your Finlayson representative.



“ Araucaria is proven to be one of the best softwoods in the world! ”

BRUCE TODD
Mouldings Production Manager 18 Years Service



PLANTATION ARAUCARIA – CLEAR AND FINGER JOINT GRADES
All profiles have relief grooves where applicable. All mouldings available L.O.S.P. treated for external use.

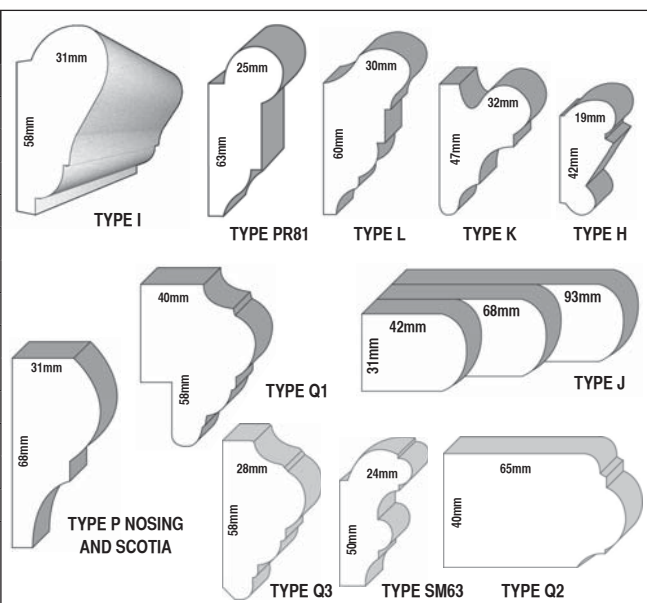
PICTURE RAILS, DADOS and FRAMES

Mouldings

1.4 PICTURE RAILS, DADOS & NOSINGS

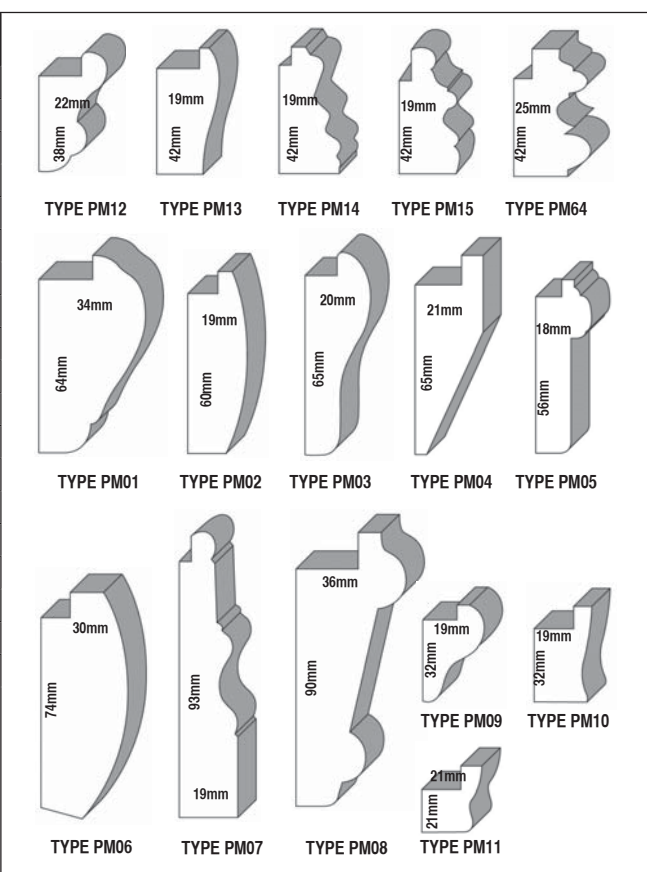
PRODUCT	SIZE	Finger Joint	Clear Grade	H3 LOSP Add
Unit = LM				
TYPE I	58 x 31	\$7.72	\$10.22	\$0.99
TYPE SM63	50 x 24	\$7.91	\$10.22	\$0.88
TYPE Q1	58 x 40	\$10.26	\$13.57	\$1.32
TYPE Q2	65 x 40	\$10.26	\$13.57	\$1.32
TYPE Q3	58 x 28	\$7.92	\$10.47	\$0.99
TYPE P	68 x 31	\$7.72	\$10.22	\$0.99
TYPE J	93 x 31	\$10.49	\$13.86	\$1.32
TYPE J	68 x 31	\$7.72	\$10.22	\$0.99
TYPE J	42 x 31	\$5.17	\$6.83	\$0.66
TYPE PR81	63 x 25	\$7.91	\$10.22	\$0.88
TYPE L	60 x 30	\$7.72	\$10.22	\$0.99
TYPE K	47 x 32	\$7.72	\$10.22	\$0.99
TYPE H	42 x 19	\$3.41	\$4.51	\$0.44

Shaded area indicates item stocked. Non-shaded products may incur a set up charge. Please refer your Finlayson representative.



1.5 PICTURE FRAME MOULDS

PRODUCT	SIZE	Finger Joint	Clear Grade	H3 LOSP Add
Unit = LM				
TYPE PM01	64 x 34	\$9.79	\$12.63	\$0.99
TYPE PM02	60 x 19	\$6.42	\$8.29	\$0.66
TYPE PM03	65 x 20	\$6.42	\$8.29	\$0.99
TYPE PM04	65 x 21	\$6.42	\$8.29	\$0.66
TYPE PM05	56 x 18	\$6.42	\$8.29	\$0.66
TYPE PM06	74 x 30	\$13.05	\$16.81	\$1.32
TYPE PM07	93 x 19	\$8.58	\$11.06	\$0.88
TYPE PM08	90 x 36	\$17.13	\$22.10	\$1.76
TYPE PM09	32 x 19	\$3.25	\$4.18	\$0.44
TYPE PM10	32 x 19	\$3.25	\$4.18	\$0.44
TYPE PM11	21 x 21	\$2.37	\$3.05	\$0.33
TYPE PM12	38 x 22	\$4.28	\$5.52	\$0.44
TYPE PM13	42 x 19	\$4.28	\$5.52	\$0.44
TYPE PM14	42 x 19	\$4.28	\$5.52	\$0.44
TYPE PM15	42 x 19	\$4.28	\$5.52	\$0.44
TYPE PM16	68 x 22	\$6.42	\$8.29	\$0.66
TYPE PM17	68 x 19	\$6.42	\$8.29	\$0.66
TYPE SM 64	42 x 25	\$6.51	\$6.07	\$0.55



PLANTATION ARAUCARIA – CLEAR AND FINGER JOINT GRADES

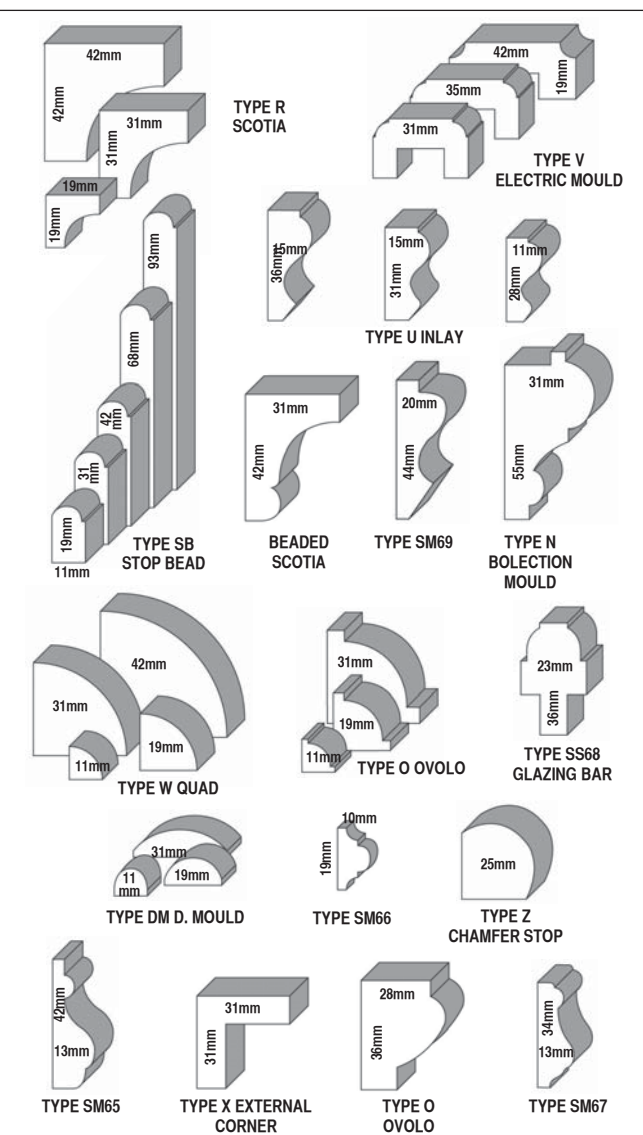
All profiles have relief grooves where applicable. All mouldings available L.O.S.P. treated for external use.

INLAYS TRIMS and POST MOULDS

Mouldings

1.6 INLAYS and TRIMS

PRODUCT	SIZE	Finger Joint	Clear Grade	H3 LOSP Add
Unit = LM				
TYPE R	42 x 42	\$6.70	\$9.02	\$0.88
TYPE R	31 x 31	\$3.91	\$5.18	\$0.55
TYPE R	19 x 19	\$2.05	\$2.70	\$0.33
TYPE V	42 x 19	\$3.76	\$5.08	\$0.44
TYPE V	35 x 19	\$3.59	\$4.74	\$0.44
TYPE V	31 x 19	\$3.23	\$4.28	\$0.44
TYPE W	42 x 42	\$7.01	\$9.24	\$0.88
TYPE W	31 x 31	\$4.03	\$5.32	\$0.55
TYPE W	19 x 19	\$2.01	\$2.37	\$0.33
TYPE W	11 x 11	\$1.47	\$1.68	\$0.33
TYPE O	31 x 31	\$4.02	\$5.18	\$0.55
TYPE O	19 x 19	\$2.09	\$2.70	\$0.33
TYPE O	11 x 11	\$1.38	\$1.78	\$0.33
TYPE SS68	36 x 23	\$5.96	\$7.71	\$0.66
TYPE SB	93 x 11	\$5.12	\$6.60	\$0.55
TYPE SB	68 x 11	\$4.06	\$5.25	\$0.44
TYPE SB	42 x 11	\$3.10	\$4.05	\$0.33
TYPE SB	31 x 11	\$2.38	\$3.06	\$0.33
TYPE SB	19 x 11	\$1.84	\$2.37	\$0.33
TYPE U	36 x 15	\$3.85	\$4.97	\$0.44
TYPE U	31 x 15	\$3.32	\$4.28	\$0.44
TYPE U	28 x 11	\$2.38	\$3.06	\$0.44
TYPE DM	31 x 19	\$2.60	\$3.32	\$0.33
TYPE DM	19 x 9	\$1.84	\$2.37	\$0.33
TYPE DM	11 x 19	\$1.60	\$2.06	\$0.33
TYPE SM66	19 x 10	\$1.84	\$2.37	\$0.33
TYPE Z LOSP	25 x 25	\$0.00	\$0.00	\$4.62
TYPE B/SCOTIA	42 x 31	\$5.61	\$7.25	\$0.66
TYPE SM69	42 x 13	\$2.97	\$3.84	\$0.44
TYPE N	55 x 31	\$7.91	\$10.22	\$0.99
TYPE SM65	42 x 13	\$2.97	\$3.84	\$0.44
TYPE X	31 x 31	\$3.74	\$5.43	\$0.55
TYPE O	36 x 28	\$0.00	\$7.02	\$0.66
TYPE SM67	34 x 13	\$2.35	\$2.98	\$0.44

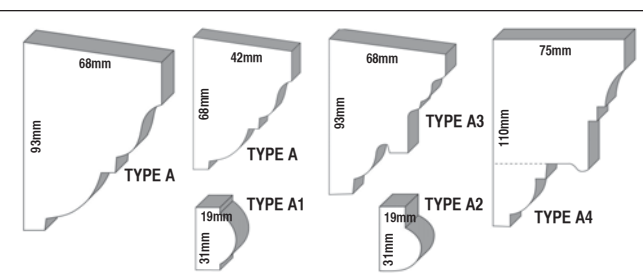


Shaded area indicates item stocked. Non-shaded products may incur a set up charge. Please refer your Finlayson representative.

1.7 POST MOULDS

PRODUCT	SIZE	Finger Joint	LOSP
TYPE A	68 x 42	\$11.39	
TYPE A	93 x 68	\$32.49	Knotty
TYPE A1	31 x 19	\$4.27	
TYPE A2	31 x 19	\$4.27	
TYPE A3	93 x 68	\$32.49	Knotty
TYPE A4	*110 x 75	\$53.28	Knotty

Note: Supplied 2 pieces.



PLANTATION ARAUCARIA – CLEAR AND FINGER JOINT GRADES

All profiles have relief grooves where applicable. All mouldings available L.O.S.P. treated for external use.

ARCHITRIVE and PLINTH BLOCKS

Mouldings

1.8A ARCHITRAVE BLOCK

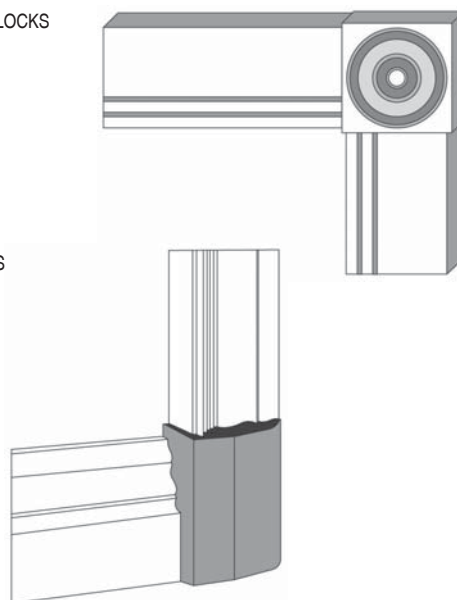
SIZE	Clear Grade (each)
42 x 15	\$5.14
68 x 15	\$5.85
93 x 15	\$6.89
42 x 22	\$5.14
68 x 22	\$5.85
93 x 22	\$6.89
116 x 22	\$7.72
140 x 22	\$8.44

ARCHITRAVE BLOCKS

- 42mm x 15mm
- 68mm x 15mm
- 93mm x 15mm
- 42mm x 22mm
- 68mm x 22mm
- 93mm x 22mm
- 116mm x 22mm
- 140mm x 22mm

PLINTH BLOCKS

- 93mm x 31mm
- 116mm x 31mm



1.8B PLINTH BLOCK

SIZE	Clear Grade (each)
93 x 31	150mm \$5.19
93 x 31	200mm \$5.85
93 x 31	250mm \$7.14
116 x 31	150mm \$6.49
116 x 31	200mm \$7.78
116 x 31	250mm \$9.09

Note: Other designs or sizes available to order.

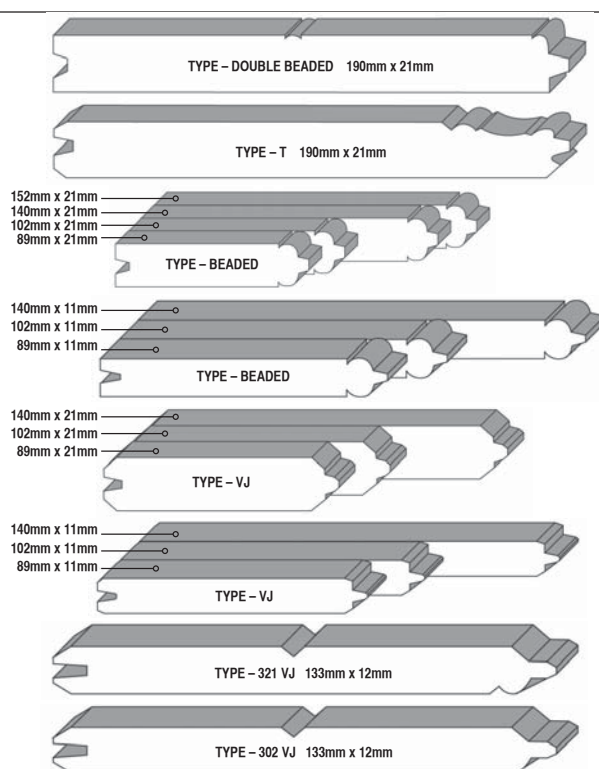
1.9 ARAUCARIA PANELLING VJ and BEADED PANELLING

PRODUCT	SIZE	Finger Joint	Clear Grade	H3 LOSP Add
Unit = LM				
Double Beaded	190 x 21	\$11.79	\$16.46	\$1.76
TYPE T	190 x 21	\$11.74	\$16.47	\$1.76
TYPE Beaded	152 x 21	\$9.47	\$11.80	\$1.76
TYPE Beaded	140 x 21	\$7.25	\$10.55	\$1.32
TYPE Beaded	102 x 21	\$6.23	\$8.24	\$1.10
TYPE Beaded	89 x 21	\$5.37	\$7.12	\$0.88
TYPE Beaded	140 x 11	\$6.09	\$8.05	\$0.88
TYPE Beaded	102 x 11	\$6.09	\$8.05	\$0.77
TYPE Beaded	89 x 11	\$3.83	\$5.06	\$0.66
TYPE VJ	140 x 21	\$7.99	\$10.55	\$1.32
TYPE VJ	102 x 21*	\$6.23	\$8.24	\$1.10
TYPE VJ	89 x 21	\$5.37	\$7.12	\$0.88
TYPE VJ	140 x 11	\$6.09	\$8.05	\$0.88
TYPE VJ	102 x 11	\$5.12	\$6.77	\$0.77
TYPE VJ	89 x 11	\$3.83	\$5.06	\$0.66
TYPE VJ 321	133 x 12	\$2.79	knotty	\$0.88
TYPE VJ 302	133 x 12	\$2.79	knotty	\$0.88

Notes:

* 102 x 21 finger joint VJ lengths in 5.4, 6.0, 6.3, 6.6 and 6.9m lengths subject to availability.

Shaded area indicates item stocked. Non-shaded products may incur a set up charge. Please refer your Finlayson representative.



PLANTATION ARAUCARIA – CLEAR AND FINGER JOINT GRADES

All profiles have relief grooves where applicable. All mouldings available L.O.S.P. treated for external use.

SQUARE DRESSED ARAUCARIA

Mouldings

1.10 SQUARE DRESSED ALL ROUND ARAUCARIA

SIZE	Finger Joint	Clear Grade	H3 LOSP Add	Priming Add
11 x 11	\$1.02	\$1.68	\$0.33	\$0.33
19 x 11	\$1.19	\$1.91	\$0.33	\$0.33
31 x 11	\$1.32	\$2.42	\$0.33	\$0.33
42 x 11	\$1.74	\$2.84	\$0.33	\$0.33
68 x 11	\$2.67	\$3.66	\$0.44	\$0.55
93 x 11	\$3.94	\$6.09	\$0.55	\$0.77
116 x 11	\$4.83	\$8.15	\$0.66	\$1.10
140 x 11	\$6.16	\$11.02	\$0.88	\$1.32
19 x 19	\$1.45	\$2.35	\$0.33	\$0.33
31 x 19	\$2.22	\$3.36	\$0.44	\$0.33
42 x 19	\$2.71	\$4.47	\$0.44	\$0.55
68 x 19	\$4.03	\$6.02	\$0.66	\$0.77
93 x 19	\$5.02	\$7.89	\$0.88	\$0.99
112 x 19	\$6.96	\$0.00	\$1.10	\$1.10
116 x 19	\$6.75	\$9.80	\$1.10	\$1.10
140 x 19	\$8.10	\$11.70	\$1.32	\$1.32
163 x 19	\$10.70	\$14.07	\$1.76	\$1.65
187 x 19	\$12.62	\$16.06	\$1.76	\$1.76
240 x 19	\$0.00	\$26.29	\$2.20	\$2.20
290 x 19	\$0.00	\$31.58	\$2.64	\$2.64

SIZE	Finger Joint	Clear Grade	H3 LOSP Add	Priming Add
31 x 31	\$3.09	\$4.85	\$0.55	\$0.55
42 x 31	\$4.08	\$5.96	\$0.66	\$0.66
68 x 31	\$6.46	\$9.12	\$0.99	\$0.77
93 x 31	\$8.67	\$12.45	\$1.32	\$1.10
116 x 31	\$10.85	\$16.28	\$1.65	\$1.32
140 x 31	\$12.65	\$19.51	\$1.98	\$1.54
163 x 31	\$0.00	\$26.33	\$2.64	\$1.76
187 x 31	\$18.98	\$30.06	\$2.64	\$1.98
240 x 31	\$0.00	\$42.01	\$3.30	\$0.00
282 x 31	\$0.00	\$56.32	\$3.96	\$0.00
42 x 42	\$6.11	\$8.61	\$0.88	\$0.77
68 x 42	\$9.19	\$12.86	\$1.32	\$0.99
93 x 42	\$12.23	\$17.15	\$1.76	\$1.21
116 x 42	\$15.26	\$22.51	\$2.20	\$1.43
140 x 42	\$18.29	\$27.62	\$2.64	\$1.65
187 x 42	\$24.98	\$40.50	\$3.52	\$1.98
68 x 68	\$14.69	\$21.49	\$1.98	\$1.32
93 x 93	\$25.73	\$35.13	\$3.52	\$1.65

Shaded area indicates item stocked. Non-shaded products may incur a set up charge. Please refer your Finlayson representative.

1.11 SHELVING

SIZE	KNOTTY GRADE
190 x 19	\$8.75
240 x 19	\$11.15
290 x 19	\$13.35



FINLAYSON'S EXPORT DIVISION

Such is the quality and environmental credentials of araucaria that Finlayson's export Division continues to expand each year. Even the World's toughest markets, including Japan and the USA use araucaria for domestic construction, fit outs and decorative applications.

As a vertically integrated company handling the products from forest through to final processing and distribution, Finlayson's export division offers supply opportunities from raw timber feed stock to state of the art finished products.

For all export enquiries please contact

Telephone +61 7 3393 0588

Fax +61 7 3891 1672

Email info@finlayson.com.au